

VW Bluetooth 9W7 installation Instructions



Follow the steps below to install the VW 9W7 Bluetooth kit:

STEP 1:

Stop the vehicle and remove the ignition key from its slot. Remove the vehicle's original radio or Sat Nav with a specific trim removal tool.

STEP 2:

Place the Bluetooth unit in a location where it can be fixed and secured, for example, behind the auto glove compartment or the climate panel, protected by a foam holder or locate the unit in its original factory spot (passenger under seat).

Example of the location behind the climatronic panel, (should be protected with foam):



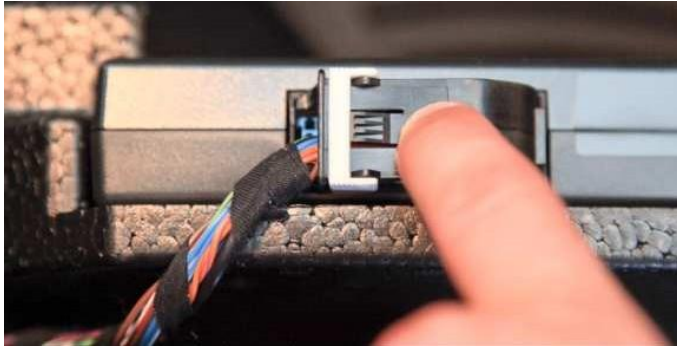
Example of connection in the factory location:



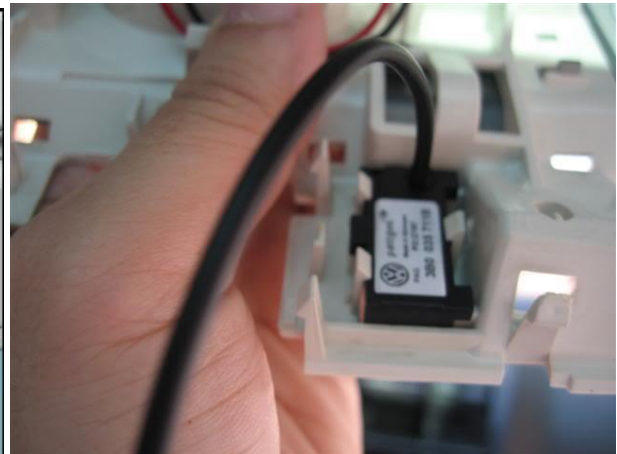
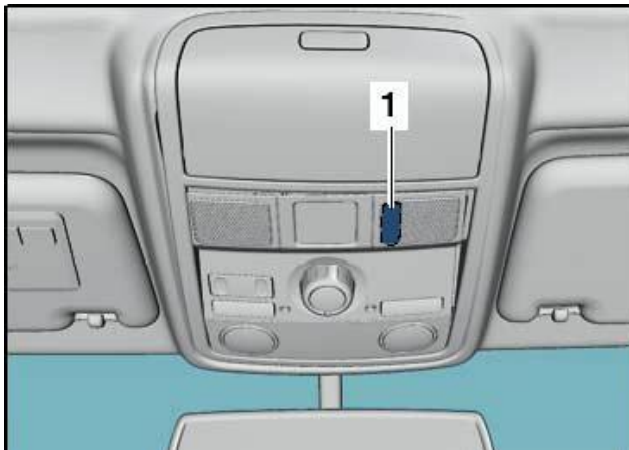
STEP 3:

Connect the Plug & Play wiring terminals to their respective units.

- Connect the 54 pin connector (elongated and black which has a white holding tab) to the Bluetooth Interface Box.



- Connect the female Quadlock plug to the vehicle's original Quadlock connector.
- Connect the male Quadlock plug to the Radio/Navigation system.
- Install microphone in factory location in the overhead courtesy lights panel and run wiring

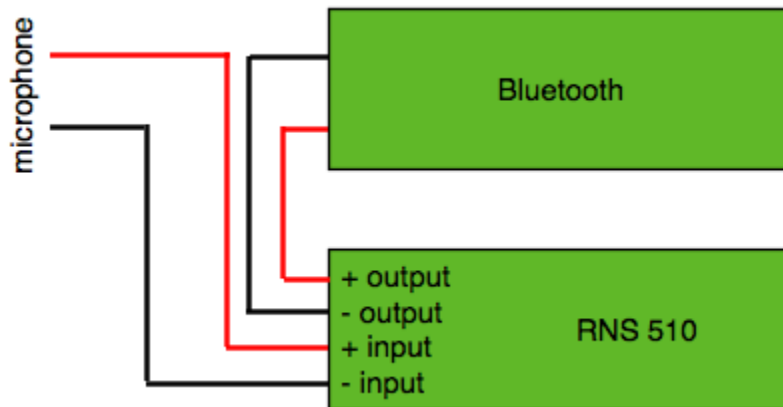


- If you have the RNS 510 installed with the voice control, pay attention to the diagram below and connect the microphone wiring with the most convenient configuration.



Bluetooth MIC connection + SDS RNS 510:

This type of connection enables the bluetooth and the RNS 510 voice recognition.



STEP 4: CODING INSTRUCTIONS

After connecting all the components, you will be able to put the ignition in ON Mode and proceed to code the vehicle.

Bluetooth unit coding by VCDS / Vas 5051 or higher.

Auto diag. enter to the 19 channel - Gateway

Installation list 11

Select the 77 channel – PHONE – Codify (check the box)

Enter in the 77 module – Change the unit existing code for: 0A01000000010110

To activate the voice guide, (steering wheel microphone button), it is necessary to recode the steering wheel to 16 channel.

Vehicles which have units of the type 1K0 953 549 CH or higher.

07 function at coding; we must change the value of the query position digit ?00 if there is a 5 or a 6 we must change it for a 7, if the vehicle has a DSG gear transmission we must change it for a 8.

Vehicles which have units with type 5K0 953 569 or higher.

Original coding sample: 1082040000, then change the 2 for an A letter.

Passat vehicles which have units with type 3C5 953 501 BN or higher.

Original coding sample: 0182270002, change the 2 for an A letter.

NOTE:

In some cases even the coding has been done correctly, the voice control through the steering wheel button can't work, it happens by a software incompatibility between the steering wheel control unit (16) and the phone's unit (77) usually because of the 77 unit is too new.

LANGUAGE:

With Vas 5051 machine or higher / VCDS

CHANNEL 77: Phone

VAS: Enter 9 - Code "calculator", below green arrow go forward, OK, conversion of values in pairs groups

VCDS: Adaptation, open the drop-down menu

- Search the group that you want to change.

- Language change to Spanish sample (European) or desired
 - Enter to the 77 Channel- Phone.
 - Go to Adaptation -10
 - Open the drop-down menu
 - MASK / byte 1, bit 2 – Check as invalid
 - MASK / byte 0, bit 4 – Check as valid
 - Match the phone and as an access code, introduce 0000